

## CPVC Pipe & Threaded Fittings

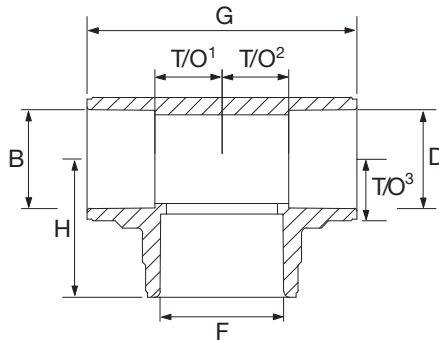
### CPVC Fittings

#### Reducing Tee



Sizes	DN20 x DN25 x DN20 thru DN80 x DN65 x DN80 ( $\frac{3}{4}$ " x 1" x $\frac{3}{4}$ " thru 3" x 2- $\frac{1}{2}$ " x 3")
Approvals	UL, C-UL Listed & FM, MEA, NSF, & LPCB Approved
Rated Pressure	12,1 bar (175 psi)
Maximum Temperature Rating	65°C (150°F).
Tech Data Sheet	<b>TFP1915 and Installation Handbook - IH-1900</b>

Manufactured with Lubrizol's BLAZEMASTER® compound ■ Produced from BlazeMaster® thermoplastic compound, RAPID RESPONSE CPVC fittings are designed exclusively for use in wet and dry pipe automatic fire sprinkler systems. ■ Our CPVC is easier to install than traditional steel components, while providing superior heat resistance and strength compared to traditional CPVC and PVC fitting materials.



CPVC Reducing Tee, Slip x Slip x Slip																	
Part No.	Size						G mm	H mm	T/O¹ mm	T/O² mm	T/O³ mm	Weight kg	Approval Listings				
	DN			In.									LPCB	FM	UL	MEA	NSF
	B	F	D	B	F	D											
80132	20	25	20	$\frac{3}{4}$ "	1"	$\frac{3}{4}$ "	73	38	18	18	15	0.063	✓	✓	✓	✓	✓
80133	25	20	20	1"	$\frac{3}{4}$ "	$\frac{3}{4}$ "	71	38	15	15	19	0.063	✓	✓	✓	✓	✓
80134	25	25	20	1"	1"	$\frac{3}{4}$ "	78	41	19	18	18	0.077	✓	✓	✓	✓	✓
80260	25	20	25	1"	$\frac{3}{4}$ "	1"	79	40	15	15	20	0.073	✓	✓	✓	✓	✓
80135	32	20	25	1- $\frac{1}{4}$ "	$\frac{3}{4}$ "	1"	85	43	16	15	24	0.095	✓	✓	✓	✓	✓
80136	32	25	25	1- $\frac{1}{4}$ "	1"	1"	84	45	19	19	23	0.100	✓	✓	✓	✓	✓
80137	32	32	25	1- $\frac{1}{4}$ "	1- $\frac{1}{4}$ "	1"	92	46	23	23	22	0.118	✓	✓	✓	✓	✓
80261	32	20	32	1- $\frac{1}{4}$ "	$\frac{3}{4}$ "	1- $\frac{1}{4}$ "	82	43	16	16	23	0.104	✓	✓	✓	✓	✓
80262	32	25	32	1- $\frac{1}{4}$ "	1"	1- $\frac{1}{4}$ "	89	46	19	19	23	0.118	✓	✓	✓	✓	✓
80138	32	40	32	1- $\frac{1}{4}$ "	1- $\frac{1}{2}$ "	1- $\frac{1}{4}$ "	119	63	26	26	26	0.195	✓	✓	✓	✓	✓
80140	40	20	32	1- $\frac{1}{2}$ "	$\frac{3}{4}$ "	1- $\frac{1}{4}$ "	100	53	15	15	26	0.163	✓	✓	✓	✓	✓
80141	40	25	32	1- $\frac{1}{2}$ "	1"	1- $\frac{1}{4}$ "	100	57	15	15	27	0.172	✓	✓	✓	✓	✓
80263	40	20	40	1- $\frac{1}{2}$ "	$\frac{3}{4}$ "	1- $\frac{1}{2}$ "	103	53	15	15	24	0.163	✓	✓	✓	✓	✓
80264	40	25	40	1- $\frac{1}{2}$ "	1"	1- $\frac{1}{2}$ "	103	58	15	15	27	0.172	✓	✓	✓	✓	✓
80275	40	32	40	1- $\frac{1}{2}$ "	1- $\frac{1}{4}$ "	1- $\frac{1}{2}$ "	118	59	22	22	26	0.204	✓	✓	✓	✓	✓
80265	50	20	50	2"	$\frac{3}{4}$ "	2"	116	62	19	19	35	0.277	✓	✓	✓	✓	✓
80266	50	25	50	2"	1"	2"	123	66	22	22	35	0.299	✓	✓	✓	✓	✓
80274	50	32	50	2"	1- $\frac{1}{4}$ "	2"	132	69	26	26	36	0.336	✓	✓	✓	✓	✓
80267	50	40	50	2"	1- $\frac{1}{2}$ "	2"	137	71	29	29	35	0.354	✓	✓	✓	✓	✓
80271	65	25	65	2- $\frac{1}{2}$ "	1"	2- $\frac{1}{2}$ "	171	70	39	39	39	0.649	✓	✓	✓	✓	✓
80272	65	32	65	2- $\frac{1}{2}$ "	1- $\frac{1}{4}$ "	2- $\frac{1}{2}$ "	171	73	39	39	40	0.662	✓	✓	✓	✓	✓
80273	65	40	65	2- $\frac{1}{2}$ "	1- $\frac{1}{2}$ "	2- $\frac{1}{2}$ "	171	75	39	39	39	0.671	✓	✓	✓	✓	✓
80276	65	50	65	2- $\frac{1}{2}$ "	2"	2- $\frac{1}{2}$ "	171	80	39	39	40	0.680	✓	✓	✓	✓	✓
80270	80	40	80	3"	1- $\frac{1}{2}$ "	3"	191	83	46	46	46	1.034		✓	✓	✓	✓
80268	80	50	80	3"	2"	3"	191	85	46	46	46	1.021		✓	✓	✓	✓
80269	80	65	80	3"	2- $\frac{1}{2}$ "	3"	191	92	46	46	46	1.107		✓	✓	✓	✓